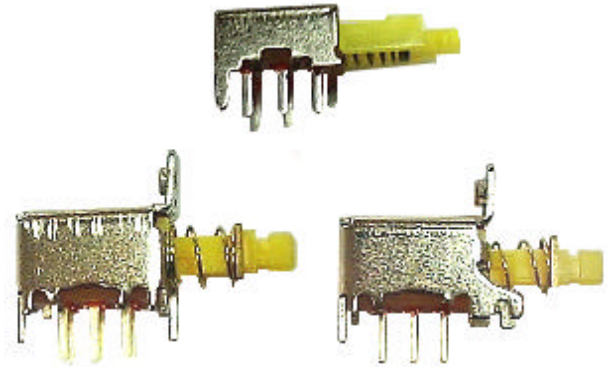


# SPN Push Button Switch

## Specifications

Rating	0.2/30VDC
Electrical Life:	20,000 cycles min.
Operating Temp:	-10°C ~ +60°C
Travel to Lock:	2.5mm
Total Travel:	3.5mm
Contact Resistance:	50mΩ max. initial
Insulation Resistance:	100 MΩ min.
Dielectric Strength:	500VAC for 60 +/- 5 sec
Contacts:	Silver plated clips
Function:	Momentary/Latching
Operating Force:	300 +/- 130gf
Soldering Method:	260°C max for 5 seconds
Solvent washing:	Non-washable
Buttons:	BC, BF, MF series



Ordering qty: 200pcs

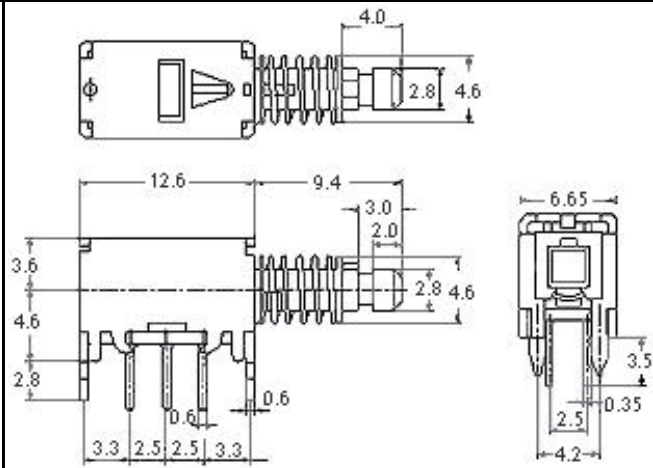
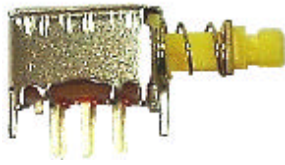
## Standard Pins

SPN-25 models		SPN-32 models	
PCB Pins	Solder Lugs	PCB Pins	Solder Lugs

## Standard Models & Dimensions

		<b>PCB Pins</b>						
		<table border="1"> <thead> <tr> <th>Model No.</th> <th>Function</th> </tr> </thead> <tbody> <tr> <td>SPN-25S-BH-0001</td> <td>Latching</td> </tr> <tr> <td>SPN-25N-BH-0019</td> <td>Momentary</td> </tr> </tbody> </table>	Model No.	Function	SPN-25S-BH-0001	Latching	SPN-25N-BH-0019	Momentary
Model No.	Function							
SPN-25S-BH-0001	Latching							
SPN-25N-BH-0019	Momentary							
		<b>Solder Lugs</b>						
		<table border="1"> <thead> <tr> <th>Model No.</th> <th>Function</th> </tr> </thead> <tbody> <tr> <td>SPN-25S-BG-0002</td> <td>Latching</td> </tr> <tr> <td>SPN-25N-BG-0016</td> <td>Momentary</td> </tr> </tbody> </table>	Model No.	Function	SPN-25S-BG-0002	Latching	SPN-25N-BG-0016	Momentary
Model No.	Function							
SPN-25S-BG-0002	Latching							
SPN-25N-BG-0016	Momentary							

**SPN-25--E**



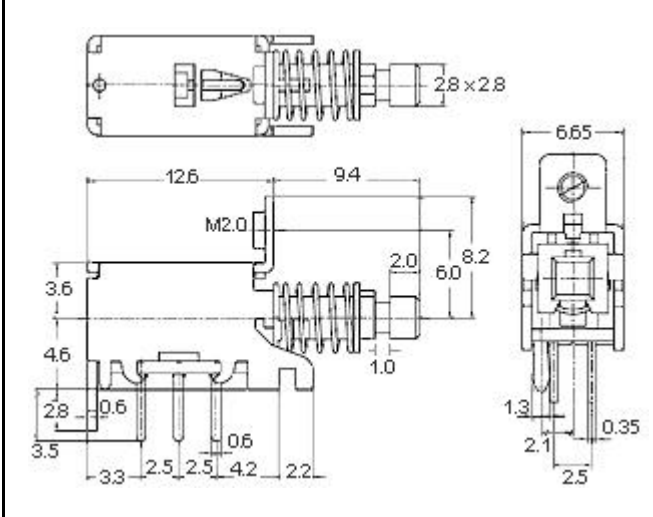
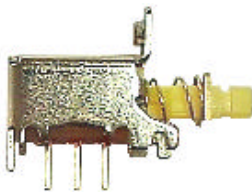
**PCB Pins**

Model No.	Function
SPN-25S-EH-0003	Latching
SPN-25N-EH-0005	Momentary

**Solder Lugs**

Model No.	Function
SPN-25S-EG-0017	Latching
SPN-25N-EG-0018	Momentary

**SPN-25--H**



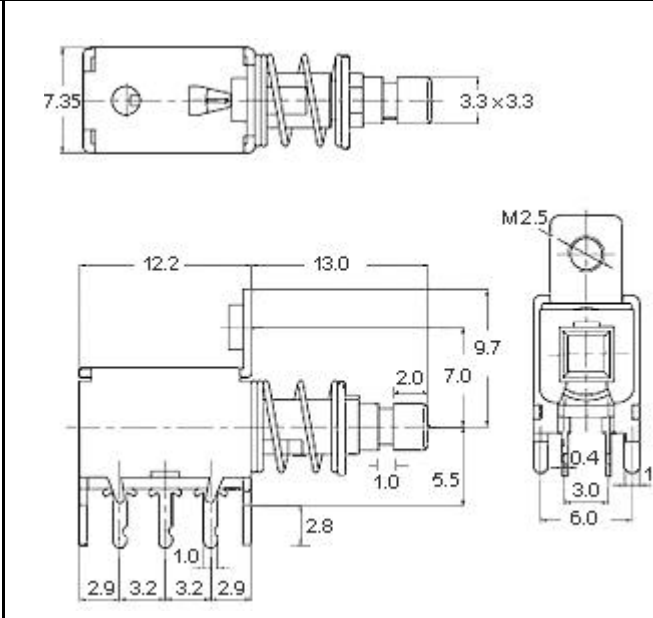
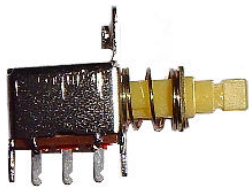
**PCB Pins**

Model No.	Function
SPN-25S-HH-0008	Latching
SPN-25N-HH-0006	Momentary

**Solder Lugs**

Model No.	Function
SPN-25S-HG-0004	Latching
SPN-25N-HG-0013	Momentary

**SPN-32--B**



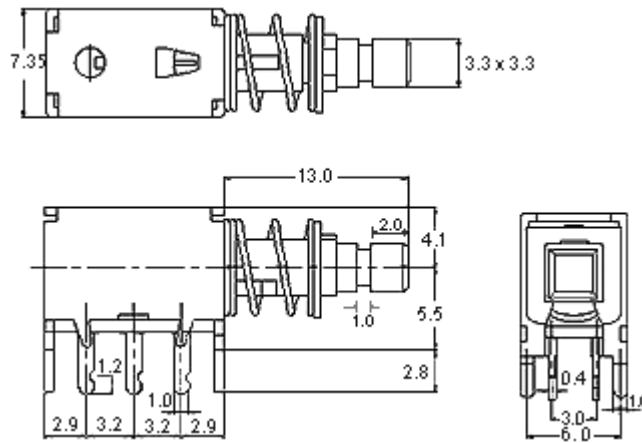
**PCB Pins**

Model No.	Function
SPN-32S-BH-0001	Latching
SPN-32N-BH-0008	Momentary

**Solder Lugs**

Model No.	Function
SPN-32S-BG-0002	Latching
SPN-32N-BG-0025	Momentary

**SPN-32--E**



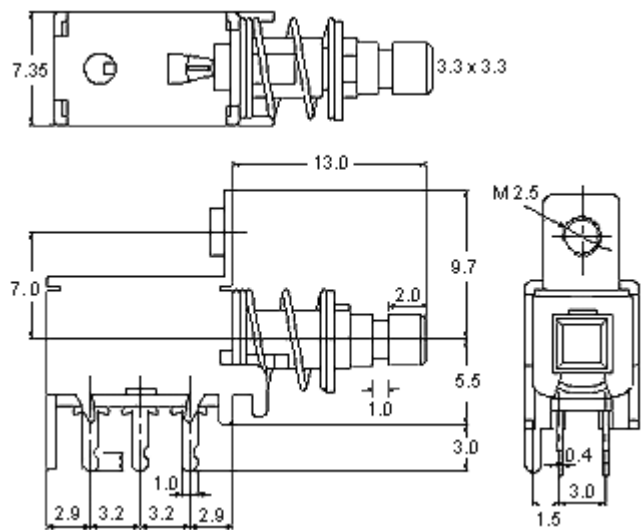
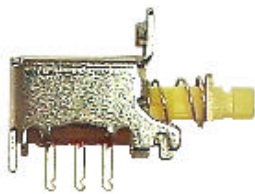
**PCB Pins**

Model No.	Function
SPN-32S-EH-0003	Latching
SPN-32N-EH-0009	Momentary

**Solder Lugs**

Model No.	Function
SPN-32S-EG-0032	Latching
SPN-32N-EG-0033	Momentary

**SPN-32--H**



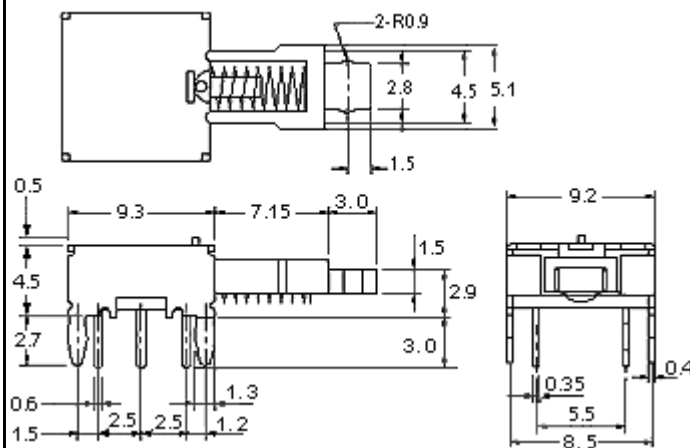
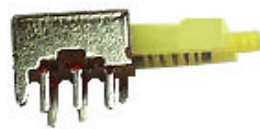
**PCB Pins**

Model No.	Function
SPN-32S-HH-0005	Latching
SPN-32N-HH-0011	Momentary

**Solder Lugs**

Model No.	Function
SPN-32S-HG-0007	Latching
SPN-32N-HG-0004	Momentary

**SPN-25--TT**



**PCB Pins**

Model No.	Function
SPN-25S-TT-0004	Latching
SPN-25N-HH-0003	Momentary

**Note:**

(Travel to lock: 1.5mm)  
 (Total travel: 3.0mm)  
 (OF: 250 +/- 100gf)