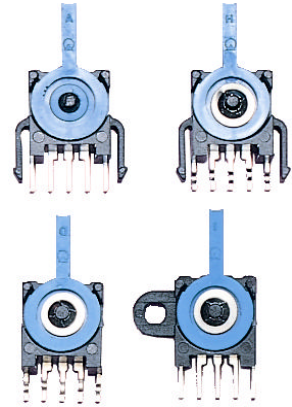
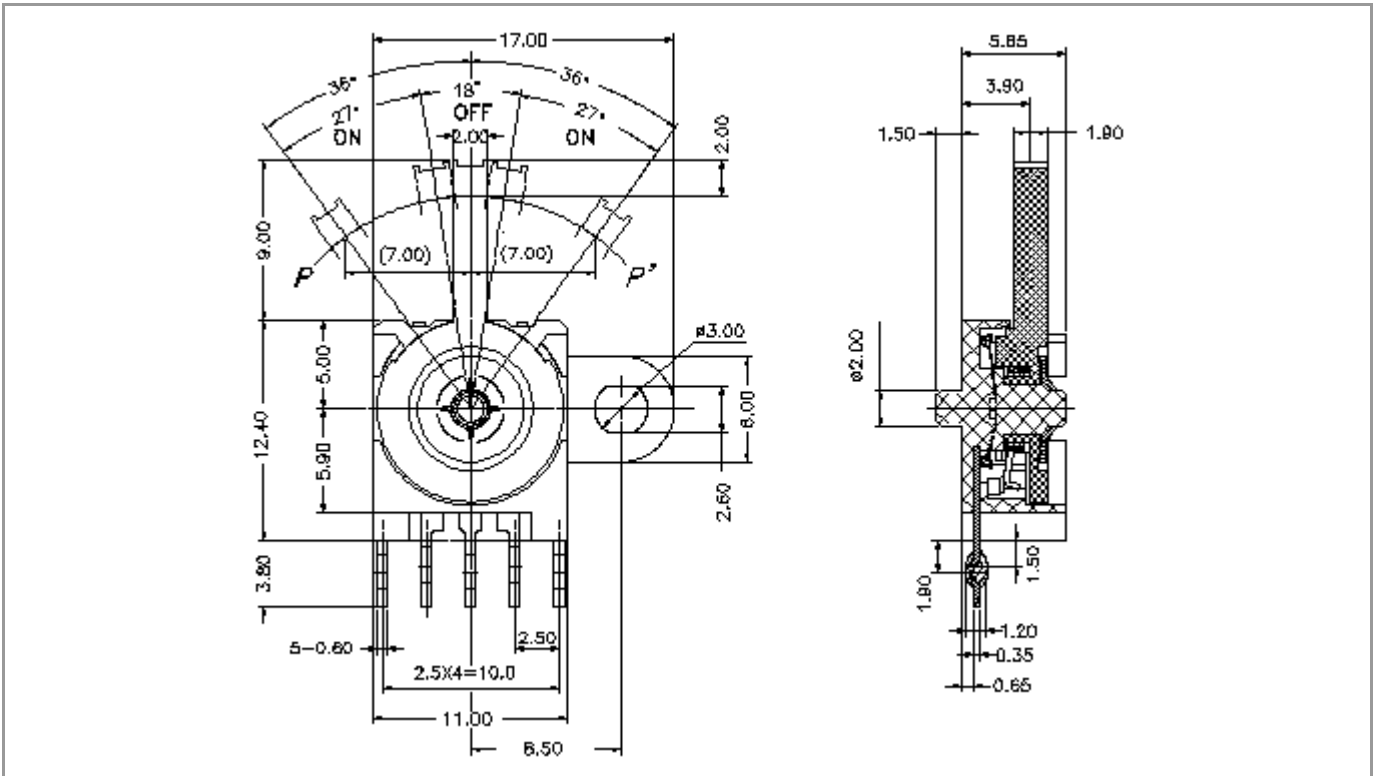


Specifications

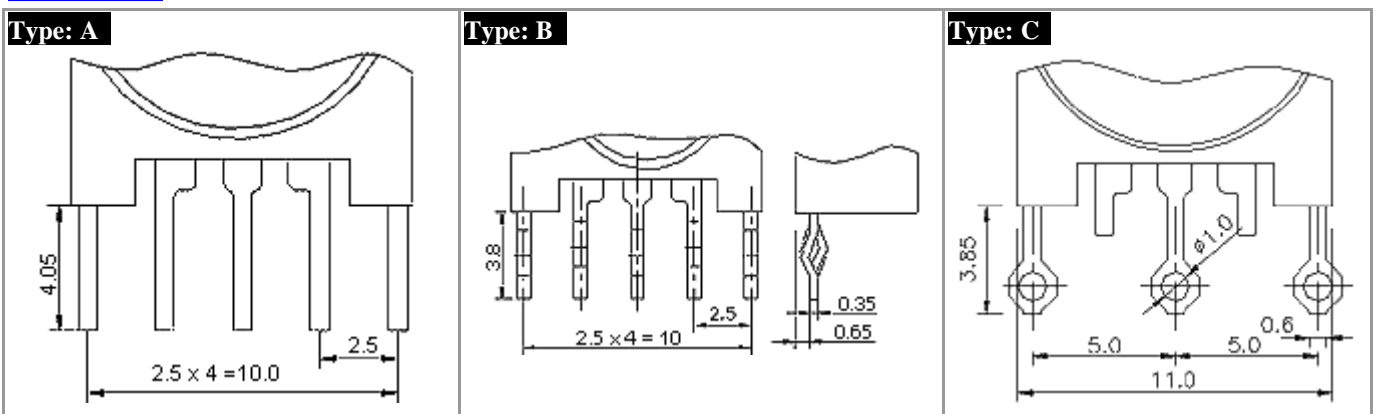
Rating	0.1A/12VDC
Electrical Life:	50,000 cycles min.
Mechanical Life:	100,000 cycles min.
Operating Temp:	-10°C ~ +60°C
Contact Resistance:	100mΩ max. initial
Insulation Resistance:	100 MΩ min.
Dielectric Strength:	100VAC for 60 +/- 5 sec
Operating Force:	70gf max.



Basic Switch Dimensions

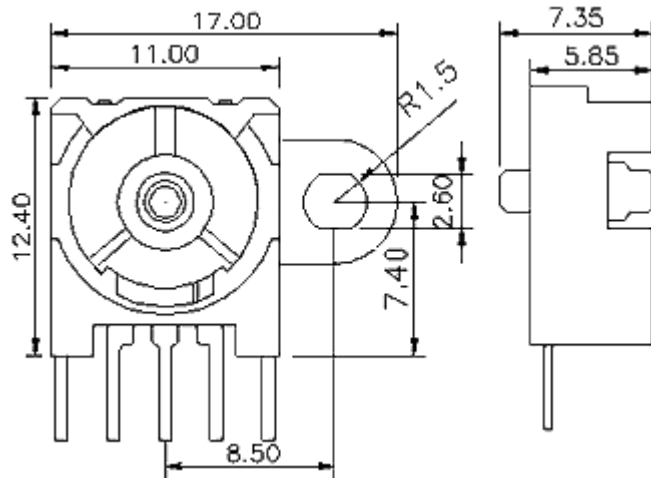


Terminals

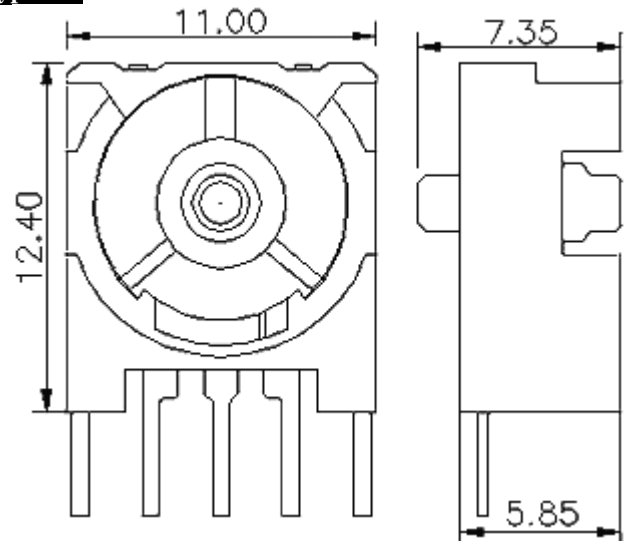


Switch Base and Mounting Methods

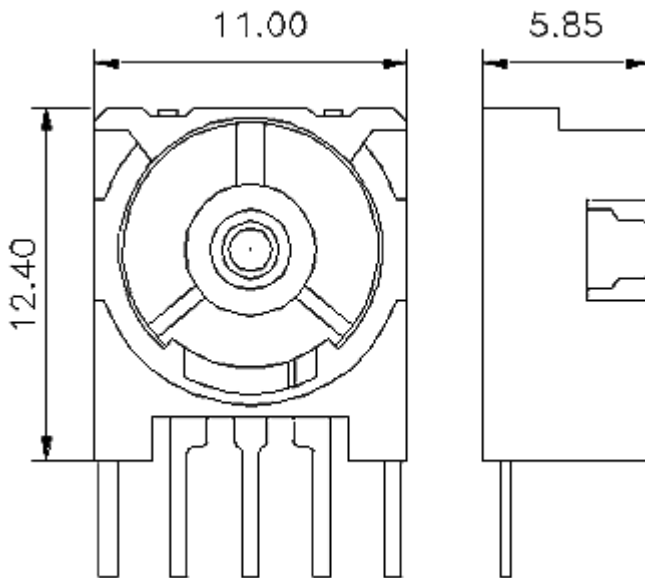
Type: A



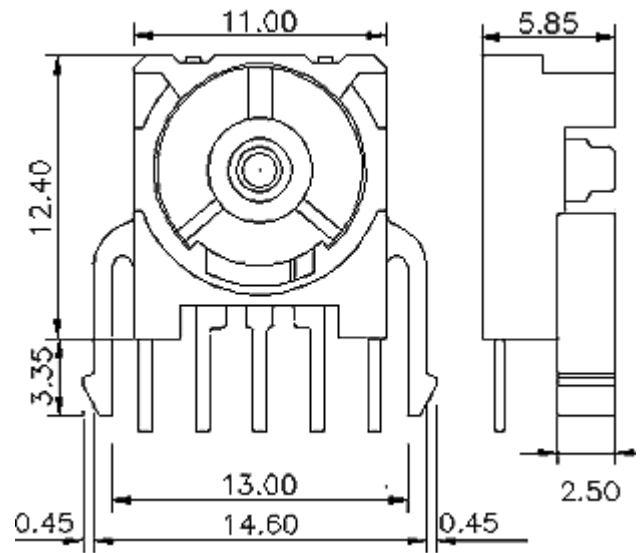
Type: B



Type: C

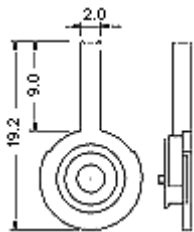


Type: D

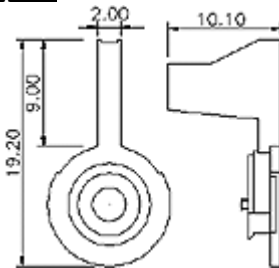


Actuators

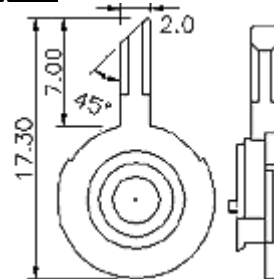
Type: 1



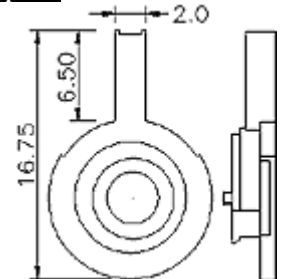
Type: 2



Type: 3



Type: 4



Ordering Switch:

DS2 - Base Terminal Actuator

Example: DS2 - AB1