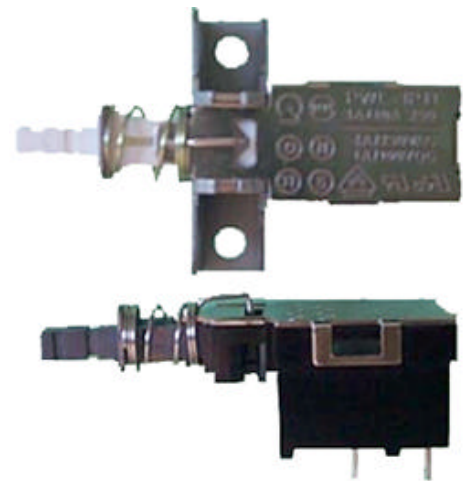


Specifications

Ratings:	4A 125/250VAC >10,000 cycles 1A 100VDC > 10,000 cycles
Operating Temp:	-25°C ~ +85°C
Insulation Resistance:	100 MΩ min.
Dielectric Strength:	1500VAC for 60 +/- 5 sec
Housing:	UL 94V0
Travel-to-lock	1.5mm 2.5mm
Proof Tracking Index:	PTI-175V
Buttons:	BF series caps
Operating Force:	450 +/- 100gf 650 +/- 150gf
Approval:	UL VDE



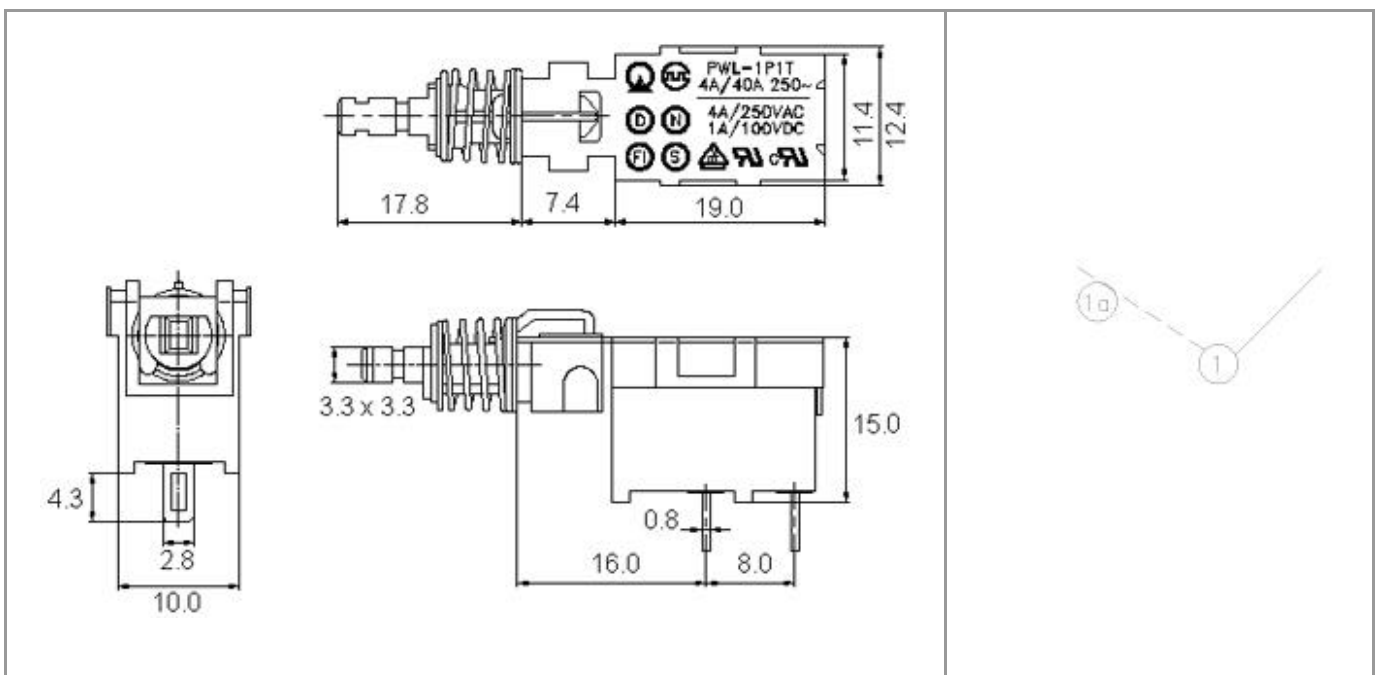
Ordering Qty: 200pcs

Ordering Single Switch

PWL-1P1T - S P 1.5 T A

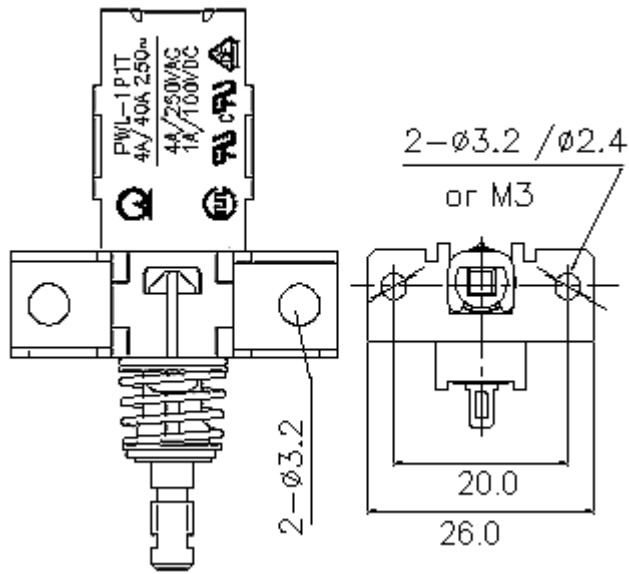
<u>Function</u>	<u>Terminals</u>	<u>Travel-to-lock</u>	<u>Mounting Chassis</u>	<u>Operating force</u>
S = Self Lock N = Non-lock	A= solder lugs P= PCB pins	1.5 mm 2.5 mm	H = Mounting holes is 2 x Ø3.2 mm T = M3 Screw, 2 x (M3x 0.5 mm) D= With PCB Mounting legs Nil: No chassis	A: 450 +/- 100gf B: 650 +/- 150gf

Drawing (Basic switch)

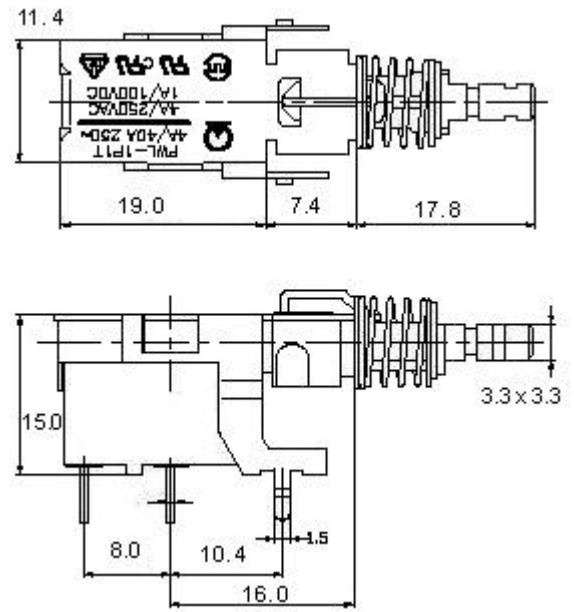


Single Switch Chassis

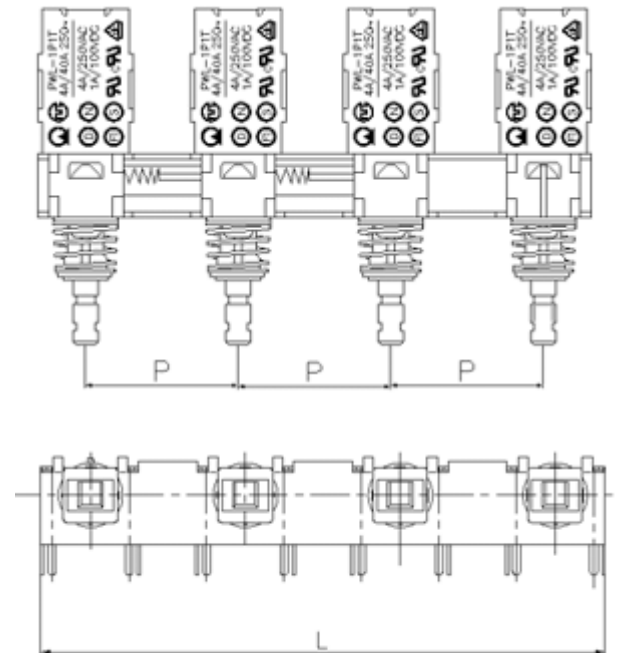
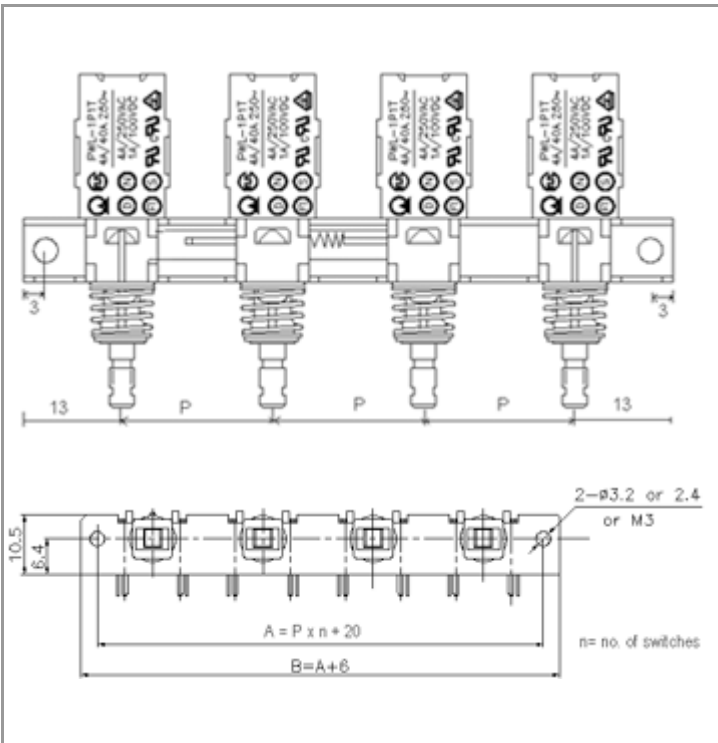
M3, 3.2 or 2.4mm Mounting Holes



Chassis with PCB Legs



Switch Assembly Chassis



Ordering Switch Assembly

For Gang Switch (Switch assembly) ordering, please refer to Appendix A in this catalogue.

Standard Items

Part Number	Rating	Function	Lock Dist.	Terminals	Op. Force	Chassis
PWL-1P1T-SP1.5TA	4A	Self-lock	1.5mm	PCB	450 +/- 100gf	M3x0.5mm
PWL-1P1T-SP1.5HA	4A	Self-lock	1.5mm	PCB	450 +/- 100gf	Ø3.2 mm
PWL-1P1T-SP1.5DA	4A	Self-lock	1.5mm	PCB	450 +/- 100gf	PCB Legs
PWL-1P1T-SP1.5TB	4A	Self-lock	1.5mm	PCB	650 +/- 150gf	M3x0.5mm
PWL-1P1T-SP1.5HB	4A	Self-lock	1.5mm	PCB	650 +/- 150gf	Ø3.2 mm
PWL-1P1T-SP1.5DB	4A	Self-lock	1.5mm	PCB	650 +/- 150gf	PCB Legs
PWL-1P1T-SA1.5TA	4A	Self-lock	1.5mm	Solder lugs	450 +/- 100gf	M3x0.5mm
PWL-1P1T-SA1.5HA	4A	Self-lock	1.5mm	Solder lugs	450 +/- 100gf	Ø3.2 mm
PWL-1P1T-SA1.5TB	4A	Self-lock	1.5mm	Solder lugs	650 +/- 150gf	M3x0.5mm
PWL-1P1T-SA1.5HB	4A	Self-lock	1.5mm	Solder lugs	650 +/- 150gf	Ø3.2 mm
PWL-1P1T-SP2.5TA	4A	Self-lock	2.5mm	PCB	450 +/- 100gf	M3x0.5mm
PWL-1P1T-SP2.5HA	4A	Self-lock	2.5mm	PCB	450 +/- 100gf	Ø3.2 mm
PWL-1P1T-SP2.5DA	4A	Self-lock	2.5mm	PCB	450 +/- 100gf	PCB Legs
PWL-1P1T-SP2.5TB	4A	Self-lock	2.5mm	PCB	650 +/- 150gf	M3x0.5mm
PWL-1P1T-SP2.5HB	4A	Self-lock	2.5mm	PCB	650 +/- 150gf	Ø3.2 mm
PWL-1P1T-SP2.5DB	4A	Self-lock	2.5mm	PCB	650 +/- 150gf	PCB Legs
PWL-1P1T-SA2.5TA	4A	Self-lock	2.5mm	Solder lugs	450 +/- 100gf	M3x0.5mm
PWL-1P1T-SA2.5HA	4A	Self-lock	2.5mm	Solder lugs	450 +/- 100gf	Ø3.2 mm
PWL-1P1T-SA2.5TB	4A	Self-lock	2.5mm	Solder lugs	650 +/- 150gf	M3x0.5mm
PWL-1P1T-SA2.5HB	4A	Self-lock	2.5mm	Solder lugs	650 +/- 150gf	Ø3.2 mm